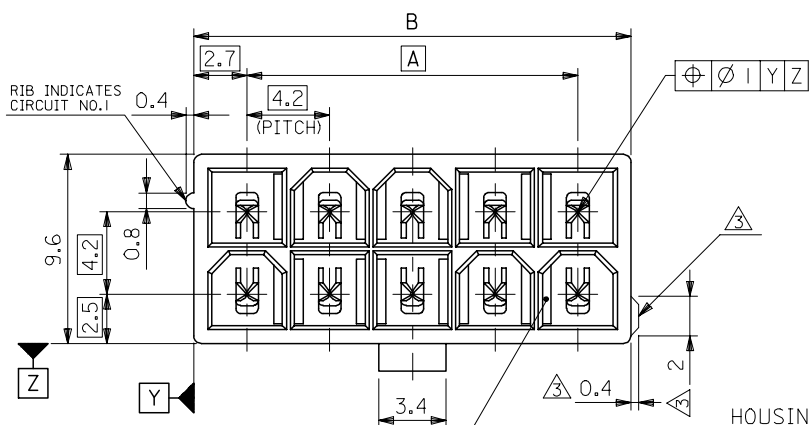
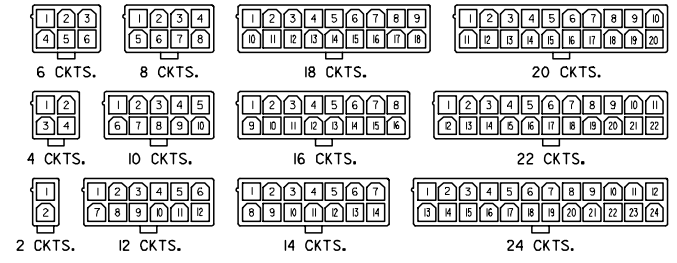


10 9 8 7 6 5 4 3 2 1

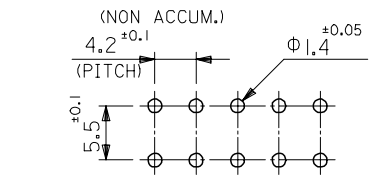
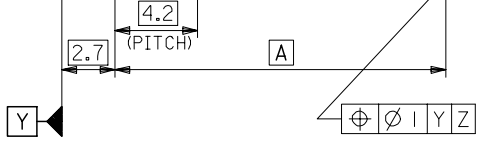
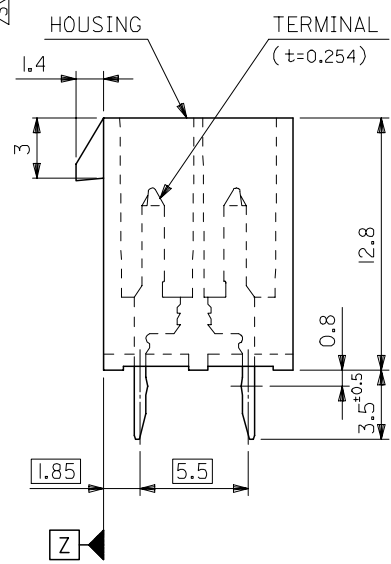
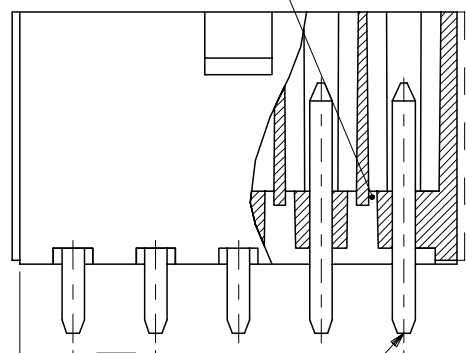


51.6	46.2	24
47.4	42	22
43.2	37.8	20
39	33.6	18
34.8	29.4	16
30.6	25.2	14
26.4	21	12
22.2	16.8	10
18	12.6	8
13.8	8.4	6
9.6	4.2	4
5.4	—	2
DIM. B	DIM. A	CKT. SIZE



**CIRCUIT SIZE LAYOUT**  
(SCALE 1:1)

DRAIN HOLES  
(OPTION : SEE NOTE 2)



**RECOMMENDED P.C. BOARD PATTERN**  
(SCALE 2:1)

**NOTES**

- MATE WITH : 5557 SERIES
- LEGEND  
 BASE NUMBER \_\_\_\_\_ 5566 - N \* \* \* \* - \* - \*  
 CIRCUIT SIZE \_\_\_\_\_  
 ASS'Y TYPE \_\_\_\_\_  
 A : WITHOUT DRAIN HOLES  
 B : WITH DRAIN HOLES  
 TERMINAL MATERIAL \_\_\_\_\_  
 "BLANK" : BRASS  
 PB : PHOSPHOR BRONZE  
 TERMINAL PLATING \_\_\_\_\_  
 "BLANK" : BRIGHT TIN 0.9μm MIN. OVER COPPER 0.5μm MIN. (BRASS)  
 TIN 0.9μm MIN. REFLOW TREATMENT  
 OR BRIGHT TIN 0.9μm MIN. (PHOSPHOR BRONZE)  
 S : BRIGHT TIN 2.54μm MIN. OVER NICKEL 1.27μm MIN.  
 GS : SELECT GOLD 0.76μm MIN. AND SELECT PURE TIN 2.54μm MIN. OVER NICKEL 1.27μm MIN.  
 GS2 : SELECT GOLD 0.38μm MIN. AND SELECT PURE TIN 2.54μm MIN. OVER NICKEL 1.27μm MIN.  
 HOUSING MATERIAL \_\_\_\_\_  
 "BLANK" : NYLON 66, UL94V-2  
 210 : NYLON 66, UL94V-0  
 310 : G.F. 30% PCT, UL94V-0  
 400 : NYLON 66, UL94V-0, BLACK  
 COLOR OR PACKAGING \_\_\_\_\_  
 BL : BLACK RE : RED GR : GRAY  
 BU : BLUE YE : YELLOW  
 TA : TRAY PACKAGING FOR TRAYS (IN US)

EXTERNAL RIB APPEARS ON MX-USA PARTS ONLY. MODEL NO. 5566-N\*\*\*\*-\*\*\*

REVISED EC NO: J2007-2529 DRWNG: SAIT001 2007/03/07 CHKDK: TOYODA 2007/03/09 APPR: NUKITA 2007/03/12	GENERAL TOLERANCES (UNLESS SPECIFIED)		DIMENSION STYLE MM ONLY		SCALE 4:1	DESIGN UNITS METRIC	THIRD ANGLE PROJECTION
	10 UNDER	±0.2	DRAWN BY H. HIRAMOTO		TITLE NEW MINI FIT CONNECTOR HEADER HOUSING ASS'Y -LEAD FREE-		
	10 OVER 30 UNDER	±0.3	DATE '89/04/03		MOLEX INCORPORATED		
	30 OVER	±0.4	CHECKED BY M. FUKUSHIMA				
ANGULAR	±3 °	DATE '94/04/20		MATERIAL NO.		DOCUMENT NO. SD-5566-002	SHEET NO. 1 OF 6
DRAFT WHERE APPLICABLE MUST REMAIN WITHIN DIMENSIONS		APPROVED BY M. FUKUSHIMA		DATE '94/04/20		THIS DRAWING CONTAINS INFORMATION THAT IS PROPRIETARY TO MOLEX INCORPORATED AND SHOULD NOT BE USED WITHOUT WRITTEN PERMISSION	

	10	9	8	7	6	5	4	3	2	1	
F	NOT TOOLED	5566-24APB-3IO	NOT TOOLED	5566-24AGS2-3IO	NOT TOOLED	5566-24AGS-3IO	NOT TOOLED	5566-24AS-3IO	NOT TOOLED	5566-24A-3IO	24
	↑	↑	↑	↑	↑	↑	↑	↑	↑	↑	
		-22APB-3IO		-22AGS2-3IO		-22AGS-3IO		-22AS-3IO		-22A-3IO	22
		-20APB-3IO		-20AGS2-3IO		-20AGS-3IO		-20AS-3IO		-20A-3IO	20
		-18APB-3IO		-18AGS2-3IO		-18AGS-3IO		-18AS-3IO		-18A-3IO	18
		-16APB-3IO		-16AGS2-3IO		-16AGS-3IO		-16AS-3IO		-16A-3IO	16
		-14APB-3IO		-14AGS2-3IO		-14AGS-3IO		-14AS-3IO		-14A-3IO	14
		-12APB-3IO		-12AGS2-3IO		-12AGS-3IO		-12AS-3IO		-12A-3IO	12
		-10APB-3IO		-10AGS2-3IO		-10AGS-3IO		-10AS-3IO		-10A-3IO	10
		-08APB-3IO		-08AGS2-3IO		-08AGS-3IO		-08AS-3IO		-08A-3IO	8
		-06APB-3IO		-06AGS2-3IO		-06AGS-3IO		-06AS-3IO		-06A-3IO	6
	↓	↓	↓	↓	↓	↓	↓	↓	↓	↓	
	NOT TOOLED	5566-02APB-3IO	NOT TOOLED	5566-02AGS2-3IO	NOT TOOLED	5566-02AGS-3IO	NOT TOOLED	5566-02AS-3IO	NOT TOOLED	5566-02A-3IO	2
E	EDP NO.	ENG. NO.	EDP NO.	ENG. NO.	EDP NO.	ENG. NO.	EDP NO.	ENG. NO.	EDP NO.	ENG. NO.	CKT. SIZE
	5566-NAPB-3IO		5566-NAGS2-3IO		5566-NAGS-3IO		5566-NAS-3IO		5566-NA-3IO		
	39-29-5247	5566-24APB-2IO	39-30-9245	5566-24AGS2-2IO	39-29-6248	5566-24AGS-2IO	39-30-6242	5566-24AS-2IO	39-28-8240	5566-24A-2IO	24
	↑	↑	↑	↑	↑	↑	↑	↑	↑	↑	
	-5227	-22APB-2IO	-9225	-22AGS2-2IO	-6228	-22AGS-2IO	-6222	-22AS-2IO	-8220	-22A-2IO	22
	-5207	-20APB-2IO	-9205	-20AGS2-2IO	-6208	-20AGS-2IO	-6202	-20AS-2IO	-8200	-20A-2IO	20
	-5187	-18APB-2IO	-9185	-18AGS2-2IO	-6188	-18AGS-2IO	-6182	-18AS-2IO	-8180	-18A-2IO	18
	-5167	-16APB-2IO	-9165	-16AGS2-2IO	-6168	-16AGS-2IO	-6162	-16AS-2IO	-8160	-16A-2IO	16
	-5147	-14APB-2IO	-9145	-14AGS2-2IO	-6148	-14AGS-2IO	-6142	-14AS-2IO	-8140	-14A-2IO	14
	-5127	-12APB-2IO	-9125	-12AGS2-2IO	-6128	-12AGS-2IO	-6122	-12AS-2IO	-8120	-12A-2IO	12
	-5107	-10APB-2IO	-9105	-10AGS2-2IO	-6108	-10AGS-2IO	-6102	-10AS-2IO	-8100	-10A-2IO	10
	-5087	-08APB-2IO	-9085	-08AGS2-2IO	-6088	-08AGS-2IO	-6082	-08AS-2IO	-8080	-08A-2IO	8
	-5067	-06APB-2IO	-9065	-06AGS2-2IO	-6068	-06AGS-2IO	-6062	-06AS-2IO	-8060	-06A-2IO	6
	↓	↓	↓	↓	↓	↓	↓	↓	↓	↓	
	-5047	-04APB-2IO	-9045	-04AGS2-2IO	-6048	-04AGS-2IO	-6042	-04AS-2IO	-8040	-04A-2IO	4
D	39-29-5027	5566-02APB-2IO	39-30-9025	5566-02AGS2-2IO	39-29-6028	5566-02AGS-2IO	39-30-6022	5566-02AS-2IO	39-28-8020	5566-02A-2IO	2
	EDP NO.	ENG. NO.	EDP NO.	ENG. NO.	EDP NO.	ENG. NO.	EDP NO.	ENG. NO.	EDP NO.	ENG. NO.	CKT. SIZE
	5566-NAPB-2IO		5566-NAGS2-2IO		5566-NAGS-2IO		5566-NAS-2IO		5566-NA-2IO		
	39-29-5246	5566-24APB	39-30-9244	5566-24AGS2	39-29-0243	5566-24AGS	39-30-6241	5566-24AS	39-28-1243	5566-24A	24
	↑	↑	↑	↑	↑	↑	↑	↑	↑	↑	
	-5226	-22APB	-9224	-22AGS2	-0223	-22AGS	-6221	-22AS	-1223	-22A	22
	-5206	-20APB	-9204	-20AGS2	-0203	-20AGS	-6201	-20AS	-1203	-20A	20
	-5186	-18APB	-9184	-18AGS2	-0183	-18AGS	-6181	-18AS	-1183	-18A	18
	-5166	-16APB	-9164	-16AGS2	-0163	-16AGS	-6161	-16AS	-1163	-16A	16
	-5146	-14APB	-9144	-14AGS2	-0143	-14AGS	-6141	-14AS	-1143	-14A	14
	-5126	-12APB	-9124	-12AGS2	-0123	-12AGS	-6121	-12AS	-1123	-12A	12
	-5106	-10APB	-9104	-10AGS2	-0103	-10AGS	-6101	-10AS	-1103	-10A	10
	-5086	-08APB	-9084	-08AGS2	-0083	-08AGS	-6081	-08AS	-1083	-08A	8
	-5066	-06APB	-9064	-06AGS2	-0063	-06AGS	-6061	-06AS	-1063	-06A	6
	↓	↓	↓	↓	↓	↓	↓	↓	↓	↓	
	-5046	-04APB	-9044	-04AGS2	-0043	-04AGS	-6041	-04AS	-1043	-04A	4
B	39-29-5026	5566-02APB	39-30-9024	5566-02AGS2	39-29-0023	5566-02AGS	39-30-6021	5566-02AS	39-28-1023	5566-02A	2
	EDP NO.	ENG. NO.	EDP NO.	ENG. NO.	EDP NO.	ENG. NO.	EDP NO.	ENG. NO.	EDP NO.	ENG. NO.	CKT. SIZE
	5566-NAPB		5566-NAGS2		5566-NAGS		5566-NAS		5566-NA		

REVISED EC NO: J2007-2529 DRW:KSAI T001 2007/03/07 CHK:KTOYODA 2007/03/09 APPR:NUKITA 2007/03/12 DESCRIPTION REV	GENERAL TOLERANCES (UNLESS SPECIFIED)		DIMENSION STYLE MM ONLY		SCALE ---	DESIGN UNITS METRIC	THIRD ANGLE PROJECTION	
	10 UNDER	± ---	DRAWN BY H. HIRAMOTO	DATE '89/04/03	TITLE NEW MINI FIT CONNECTOR HEADER HOUSING ASS'Y -LEAD FREE-			
	10 OVER 30 UNDER	± ---	CHECKED BY M. FUKUSHIMA	DATE '94/04/20	MOLEX INCORPORATED			
	30 OVER	± ---	APPROVED BY M. FUKUSHIMA	DATE '94/04/20	DOCUMENT NO. SD-5566-002		SHEET NO. 2 OF 6	
	ANGULAR	± --- °	MATERIAL NO. SEE TABLE					
DRAFT WHERE APPLICABLE MUST REMAIN WITHIN DIMENSIONS			SIZE A3		THIS DRAWING CONTAINS INFORMATION THAT IS PROPRIETARY TO MOLEX INCORPORATED AND SHOULD NOT BE USED WITHOUT WRITTEN PERMISSION			

	10	9	8	7	6	5	4	3	2	1	
F	NOT TOOLED	5566-24BGS2-3 IO	NOT TOOLED	5566-24BGS-3 IO	NOT TOOLED	5566-24BS-3 IO	NOT TOOLED	5566-24B-3 IO	NOT TOOLED	5566-24APBS-3 IO	24
	↑	↑ -22BGS2-3 IO	↑	↑ -22BGS-3 IO	↑	↑ -22BS-3 IO	↑	↑ -22B-3 IO	↑	↑ -22APBS-3 IO	22
		↑ -20BGS2-3 IO		↑ -20BGS-3 IO		↑ -20BS-3 IO		↑ -20B-3 IO		↑ -20APBS-3 IO	20
		↑ -18BGS2-3 IO		↑ -18BGS-3 IO		↑ -18BS-3 IO		↑ -18B-3 IO		↑ -18APBS-3 IO	18
		↑ -16BGS2-3 IO		↑ -16BGS-3 IO		↑ -16BS-3 IO		↑ -16B-3 IO		↑ -16APBS-3 IO	16
		↑ -14BGS2-3 IO		↑ -14BGS-3 IO		↑ -14BS-3 IO		↑ -14B-3 IO		↑ -14APBS-3 IO	14
		↑ -12BGS2-3 IO		↑ -12BGS-3 IO		↑ -12BS-3 IO		↑ -12B-3 IO		↑ -12APBS-3 IO	12
		↑ -10BGS2-3 IO		↑ -10BGS-3 IO		↑ -10BS-3 IO		↑ -10B-3 IO		↑ -10APBS-3 IO	10
		↑ -08BGS2-3 IO		↑ -08BGS-3 IO		↑ -08BS-3 IO		↑ -08B-3 IO		↑ -08APBS-3 IO	8
		↑ -06BGS2-3 IO		↑ -06BGS-3 IO		↑ -06BS-3 IO		↑ -06B-3 IO		↑ -06APBS-3 IO	6
	↓ -04BGS2-3 IO		↓ -04BGS-3 IO		↓ -04BS-3 IO		↓ -04B-3 IO		↓ -04APBS-3 IO	4	
E	NOT TOOLED	5566-02BGS2-3 IO	NOT TOOLED	5566-02BGS-3 IO	NOT TOOLED	5566-02BS-3 IO	NOT TOOLED	5566-02B-3 IO	NOT TOOLED	5566-02APBS-3 IO	2
	EDP NO.	ENG. NO.	EDP NO.	ENG. NO.	EDP NO.	ENG. NO.	EDP NO.	ENG. NO.	EDP NO.	ENG. NO.	CKT. SIZE
	5566-NBGS2-3 IO		5566-NBGS-3 IO		5566-NBS-3 IO		5566-NB-3 IO		5566-NAPBS-3 IO		
	39-30-9247	5566-24BGS2-2 IO	39-31-0248	5566-24BGS-2 IO	39-31-0242	5566-24BS-2 IO	39-31-0240	5566-24B-2 IO	39-30-6244	5566-24APBS-2 IO	24
	↑ -9227	↑ -22BGS2-2 IO	↑ -0228	↑ -22BGS-2 IO	↑ -0222	↑ -22BS-2 IO	↑ -0220	↑ -22B-2 IO	↑ -6224	↑ -22APBS-2 IO	22
	↑ -9207	↑ -20BGS2-2 IO	↑ -0208	↑ -20BGS-2 IO	↑ -0202	↑ -20BS-2 IO	↑ -0200	↑ -20B-2 IO	↑ -6204	↑ -20APBS-2 IO	20
	↑ -9187	↑ -18BGS2-2 IO	↑ -0188	↑ -18BGS-2 IO	↑ -0182	↑ -18BS-2 IO	↑ -0180	↑ -18B-2 IO	↑ -6184	↑ -18APBS-2 IO	18
	↑ -9167	↑ -16BGS2-2 IO	↑ -0168	↑ -16BGS-2 IO	↑ -0162	↑ -16BS-2 IO	↑ -0160	↑ -16B-2 IO	↑ -6164	↑ -16APBS-2 IO	16
	↑ -9147	↑ -14BGS2-2 IO	↑ -0148	↑ -14BGS-2 IO	↑ -0142	↑ -14BS-2 IO	↑ -0140	↑ -14B-2 IO	↑ -6144	↑ -14APBS-2 IO	14
	↑ -9127	↑ -12BGS2-2 IO	↑ -0128	↑ -12BGS-2 IO	↑ -0122	↑ -12BS-2 IO	↑ -0120	↑ -12B-2 IO	↑ -6124	↑ -12APBS-2 IO	12
↑ -9107	↑ -10BGS2-2 IO	↑ -0108	↑ -10BGS-2 IO	↑ -0102	↑ -10BS-2 IO	↑ -0100	↑ -10B-2 IO	↑ -6104	↑ -10APBS-2 IO	10	
↑ -9087	↑ -08BGS2-2 IO	↑ -0088	↑ -08BGS-2 IO	↑ -0082	↑ -08BS-2 IO	↑ -0080	↑ -08B-2 IO	↑ -6084	↑ -08APBS-2 IO	8	
↑ -9067	↑ -06BGS2-2 IO	↑ -0068	↑ -06BGS-2 IO	↑ -0062	↑ -06BS-2 IO	↑ -0060	↑ -06B-2 IO	↑ -6064	↑ -06APBS-2 IO	6	
↓ -9047	↓ -04BGS2-2 IO	↓ -0048	↓ -04BGS-2 IO	↓ -0042	↓ -04BS-2 IO	↓ -0040	↓ -04B-2 IO	↓ -6044	↓ -04APBS-2 IO	4	
39-30-9027	5566-02BGS2-2 IO	39-31-0028	5566-02BGS-2 IO	39-31-0022	5566-02BS-2 IO	39-31-0020	5566-02B-2 IO	39-30-6024	5566-02APBS-2 IO	2	
EDP NO.	ENG. NO.	EDP NO.	ENG. NO.	EDP NO.	ENG. NO.	EDP NO.	ENG. NO.	EDP NO.	ENG. NO.	CKT. SIZE	
5566-NBGS2-2 IO		5566-NBGS-2 IO		5566-NBS-2 IO		5566-NB-2 IO		5566-NAPBS-2 IO			
39-30-9246	5566-24BGS2	39-31-0247	5566-24BGS	39-31-0241	5566-24BS	39-29-3246	5566-24B	39-30-6243	5566-24APBS	24	
↑ -9226	↑ -22BGS2	↑ -0227	↑ -22BGS	↑ -0221	↑ -22BS	↑ -3226	↑ -22B	↑ -6223	↑ -22APBS	22	
↑ -9206	↑ -20BGS2	↑ -0207	↑ -20BGS	↑ -0201	↑ -20BS	↑ -3206	↑ -20B	↑ -6203	↑ -20APBS	20	
↑ -9186	↑ -18BGS2	↑ -0187	↑ -18BGS	↑ -0181	↑ -18BS	↑ -3186	↑ -18B	↑ -6183	↑ -18APBS	18	
↑ -9166	↑ -16BGS2	↑ -0164	↑ -16BGS	↑ -0161	↑ -16BS	↑ -3166	↑ -16B	↑ -6163	↑ -16APBS	16	
↑ -9146	↑ -14BGS2	↑ -0147	↑ -14BGS	↑ -0141	↑ -14BS	↑ -3146	↑ -14B	↑ -6143	↑ -14APBS	14	
↑ -9126	↑ -12BGS2	↑ -0127	↑ -12BGS	↑ -0121	↑ -12BS	↑ -3126	↑ -12B	↑ -6123	↑ -12APBS	12	
↑ -9106	↑ -10BGS2	↑ -0107	↑ -10BGS	↑ -0101	↑ -10BS	↑ -3106	↑ -10B	↑ -6103	↑ -10APBS	10	
↑ -9086	↑ -08BGS2	↑ -0087	↑ -08BGS	↑ -0081	↑ -08BS	↑ -3086	↑ -08B	↑ -6083	↑ -08APBS	8	
↑ -9066	↑ -06BGS2	↑ -0067	↑ -06BGS	↑ -0061	↑ -06BS	↑ -3066	↑ -06B	↑ -6063	↑ -06APBS	6	
↓ -9046	↓ -04BGS2	↓ -0047	↓ -04BGS	↓ -0041	↓ -04BS	↓ -3046	↓ -04B	↓ -6043	↓ -04APBS	4	
39-30-9026	5566-02BGS2	39-31-0027	5566-02BGS	39-31-0021	5566-02BS	39-29-3026	5566-02B	39-30-6023	5566-02APBS	2	
EDP NO.	ENG. NO.	EDP NO.	ENG. NO.	EDP NO.	ENG. NO.	EDP NO.	ENG. NO.	EDP NO.	ENG. NO.	CKT. SIZE	
5566-NBGS2		5566-NBGS		5566-NBS		5566-NB		5566-NAPBS			

REVISED EC NO: J2007-2529 DRW:KSAI T001 2007/03/07 CHK:KATOY00A 2007/03/09 APP:NUKITA 2007/03/12	GENERAL TOLERANCES (UNLESS SPECIFIED)	DIMENSION STYLE MM ONLY	SCALE ---	DESIGN UNITS METRIC	THIRD ANGLE PROJECTION
	10 UNDER ± ---	DRAWN BY H. HIRAMOTO	DATE '89/04/03	TITLE NEW MINI FIT CONNECTOR HEADER HOUSING ASS'Y -LEAD FREE-	
	10 OVER 30 UNDER ± ---	CHECKED BY M. FUKUSHIMA	DATE '94/04/20	MOLEX INCORPORATED	
	30 OVER ± ---	APPROVED BY M. FUKUSHIMA	DATE '94/04/20	DOCUMENT NO. SD-5566-002	SHEET NO. 3 OF 6
	ANGULAR ± --- °	MATERIAL NO. SEE TABLE			
DRAFT WHERE APPLICABLE MUST REMAIN WITHIN DIMENSIONS	SIZE A3	THIS DRAWING CONTAINS INFORMATION THAT IS PROPRIETARY TO MOLEX INCORPORATED AND SHOULD NOT BE USED WITHOUT WRITTEN PERMISSION			

10 9 8 7 6 5 4 3 2 1

F

E

D

C

B

A

NOT TOOLED	5566-24BPBS-3 IO	NOT TOOLED	5566-24BPB-3 IO	24
▲	▲ -22BPBS-3 IO	▲	▲ -22BPB-3 IO	22
	-20BPBS-3 IO		-20BPB-3 IO	20
	-18BPBS-3 IO		-18BPB-3 IO	18
	-16BPBS-3 IO		-16BPB-3 IO	16
	-14BPBS-3 IO		-14BPB-3 IO	14
	-12BPBS-3 IO		-12BPB-3 IO	12
	-10BPBS-3 IO		-10BPB-3 IO	10
	-08BPBS-3 IO		-08BPB-3 IO	8
	-06BPBS-3 IO		-06BPB-3 IO	6
▼	▼ -04BPBS-3 IO	▼	▼ -04BPB-3 IO	4

NOT TOOLED	5566-02BPBS-3 IO	NOT TOOLED	5566-02BPB-3 IO	2
EDP NO.	ENG. NO	EDP NO.	ENG. NO	CKT. SIZE
5566-NBPBS-3 IO		5566-NBPB-3 IO		
39-31-0246	5566-24BPBS-2 IO	39-31-0244	5566-24BPB-2 IO	24
▲ -0226	▲ -22BPBS-2 IO	▲ -0224	▲ -22BPB-2 IO	22
-0206	-20BPBS-2 IO	-0204	-20BPB-2 IO	20
-0186	-18BPBS-2 IO	-0184	-18BPB-2 IO	18
-0166	-16BPBS-2 IO	-0164	-16BPB-2 IO	16
-0146	-14BPBS-2 IO	-0144	-14BPB-2 IO	14
-0126	-12BPBS-2 IO	-0124	-12BPB-2 IO	12
-0106	-10BPBS-2 IO	-0104	-10BPB-2 IO	10
-0086	-08BPBS-2 IO	-0084	-08BPB-2 IO	8
-0066	-06BPBS-2 IO	-0064	-06BPB-2 IO	6
-0046	-04BPBS-2 IO	-0044	-04BPB-2 IO	4
▼	▼ -04BPBS-2 IO	▼	▼ -04BPB-2 IO	4
39-31-0026	5566-02BPBS-2 IO	39-31-0024	5566-02BPB-2 IO	2
EDP NO.	ENG. NO	EDP NO.	ENG. NO	CKT. SIZE
5566-NBPBS-2 IO		5566-NBPB-2 IO		

39-35-0248	5566-24A-400	39-31-0245	5566-24BPBS	39-31-0243	5566-24BPB	24
▲ -0228	▲ -22A-400	▲ -0225	▲ -22BPBS	▲ -0223	▲ -22BPB	22
-0208	-20A-400	-0205	-20BPBS	-0203	-20BPB	20
-0188	-18A-400	-0185	-18BPBS	-0183	-18BPB	18
-0168	-16A-400	-0165	-16BPBS	-0163	-16BPB	16
-0148	-14A-400	-0145	-14BPBS	-0143	-14BPB	14
-0128	-12A-400	-0125	-12BPBS	-0123	-12BPB	12
-0108	-10A-400	-0105	-10BPBS	-0103	-10BPB	10
-0088	-08A-400	-0085	-08BPBS	-0083	-08BPB	8
-0068	-06A-400	-0065	-06BPBS	-0063	-06BPB	6
-0048	-04A-400	-0045	-04BPBS	-0043	-04BPB	4
▼	▼ -04A-400	▼	▼ -04BPBS	▼	▼ -04BPB	4
39-35-0028	5566-02A-400	39-31-0025	5566-02BPBS	39-31-0023	5566-02BPB	2
EDP NO.	ENG. NO	EDP NO.	ENG. NO	EDP NO.	ENG. NO	CKT. SIZE
5566-NA-400		5566-NBPBS		5566-NBPB		

REVISED EC NO: J2007-2529 DRWNG: SAI T001 2007/03/07 CHKDK: TOYODA 2007/03/09 APPR: NUKITA 2007/03/12	GENERAL TOLERANCES (UNLESS SPECIFIED)		DIMENSION STYLE MM ONLY		SCALE ---	DESIGN UNITS METRIC	THIRD ANGLE PROJECTION	
	10 UNDER	± ---	DRAWN BY H. HIRAMOTO	DATE '89/04/03	TITLE NEW MINI FIT CONNECTOR HEADER HOUSING ASS'Y -LEAD FREE-			
	10 OVER 30 UNDER	± ---	CHECKED BY M. FUKUSHIMA	DATE '94/04/20				
	30 OVER	± ---	APPROVED BY M. FUKUSHIMA	DATE '94/04/20	MOLEX INCORPORATED DOCUMENT NO. SD-5566-002 SHEET NO. 4 OF 6			
	ANGULAR	± --- °	MATERIAL NO. SEE TABLE					
DRAFT WHERE APPLICABLE MUST REMAIN WITHIN DIMENSIONS		SIZE A3	THIS DRAWING CONTAINS INFORMATION THAT IS PROPRIETARY TO MOLEX INCORPORATED AND SHOULD NOT BE USED WITHOUT WRITTEN PERMISSION					

10 9 8 7 6 5 4 3 2 1

F

F

E

E

D

D

C

C

B

B

A

A

									24
									22
									20
									18
					39-33-3169	5566-16A-210-BU	39-33-3168	5566-16A-210-BL	16
									14
									12
			39-33-4100	5566-10A-210-RE	39-33-3109	5566-10A-210-BU	39-33-3108	5566-10A-210-BL	10
							39-33-3088	5566-08A-210-BL	8
									6
			39-33-4040	5566-04A-210-RE	39-33-3049	5566-04A-210-BU			4
39-34-5023	5566-02A-210-YE	39-33-4020	5566-02A-210-RE	39-33-3029	5566-02A-210-BU	39-33-3028	5566-02A-210-BL		2
EDP. NO.	ENG. NO.	EDP. NO.	ENG. NO.	EDP. NO.	ENG. NO.	EDP. NO.	ENG. NO.		CKT. SIZE
5566-NA-210-YE		5566-NA-210-RE		5566-NA-210-BU		5566-NA-210-BL			
									24
									22
									20
									18
									16
39-33-3145	5566-14A-GR			39-33-3166	5566-16A-RE	39-33-3164	5566-16A-BU		14
								39-33-3143	5566-14A-BL
				39-33-3126	5566-12A-RE	39-33-3124	5566-12A-BU		12
				39-33-3106	5566-10A-RE	39-33-3104	5566-10A-BU		10
		39-33-3087	5566-08A-YE	39-33-3086	5566-08A-RE	39-33-3084	5566-08A-BU	39-33-3083	5566-08A-BL
		39-33-3067	5566-06A-YE	39-33-3066	5566-06A-RE	39-33-3064	5566-06A-BU	39-33-3063	5566-06A-BL
				39-33-3046	5566-04A-RE	39-33-3044	5566-04A-BU	39-33-3043	5566-04A-BL
		39-33-3027	5566-02A-YE	39-33-3026	5566-02A-RE	39-33-3024	5566-02A-BU	39-33-3023	5566-02A-BL
EDP. NO.	ENG. NO.	EDP. NO.	ENG. NO.	EDP. NO.	ENG. NO.	EDP. NO.	ENG. NO.	EDP. NO.	ENG. NO.
5566-NA-GR		5566-NA-YE		5566-NA-RE		5566-NA-BU		5566-NA-BL	
									CKT. SIZE

REVISED EC NO: J2007-2529 DRW:KSAIT001 2007/03/07 CHK:KTOY00A 2007/03/09 APPR:NUKITA 2007/03/12	GENERAL TOLERANCES (UNLESS SPECIFIED)		DIMENSION STYLE MM ONLY		SCALE ---	DESIGN UNITS METRIC	THIRD ANGLE PROJECTION	
	10 UNDER	± ---	DRAWN BY H.HIRAMOTO	DATE '89/04/03	TITLE NEW MINI FIT CONNECTOR HEADER HOUSING ASS'Y -LEAD FREE-			
	10 <sup>OVER</sup> 30 UNDER	± ---	CHECKED BY M.FUKUSHIMA	DATE '94/04/20				
	30 <sup>OVER</sup>	± ---	APPROVED BY M.FUKUSHIMA	DATE '94/04/20	MOLEX INCORPORATED DOCUMENT NO. SD-5566-002 SHEET NO. 5 OF 6			
	ANGULAR	± --- °	MATERIAL NO.					
DRAFT WHERE APPLICABLE MUST REMAIN WITHIN DIMENSIONS		SEE TABLE		THIS DRAWING CONTAINS INFORMATION THAT IS PROPRIETARY TO MOLEX INCORPORATED AND SHOULD NOT BE USED WITHOUT WRITTEN PERMISSION				

F

E

D

C

B

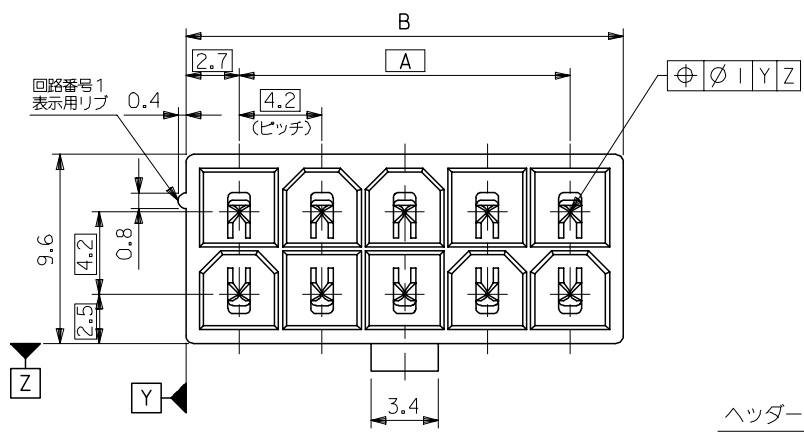
A

39-54-0245	5566-24BGS-210-TA	39-54-0244	5566-24B-210-TA	39-54-0243	5566-24BGS-TA	39-54-0242	5566-24B-TA	24
▲ -0225	▲ -22BGS-210-TA	▲ -0224	▲ -22B-210-TA	▲ -0223	▲ -22BGS-TA	▲ -0222	▲ -22B-TA	22
-0205	-20BGS-210-TA	-0204	-20B-210-TA	-0203	-20BGS-TA	-0202	-20B-TA	20
-0185	-18BGS-210-TA	-0184	-18B-210-TA	-0183	-18BGS-TA	-0182	-18B-TA	18
-0165	-16BGS-210-TA	-0164	-16B-210-TA	-0163	-16BGS-TA	-0162	-16B-TA	16
-0145	-14BGS-210-TA	-0144	-14B-210-TA	-0143	-14BGS-TA	-0142	-14B-TA	14
-0125	-12BGS-210-TA	-0124	-12B-210-TA	-0123	-12BGS-TA	-0122	-12B-TA	12
-0105	-10BGS-210-TA	-0104	-10B-210-TA	-0103	-10BGS-TA	-0102	-10B-TA	10
-0085	-08BGS-210-TA	-0084	-08B-210-TA	-0083	-08BGS-TA	-0082	-08B-TA	8
-0065	-06BGS-210-TA	-0064	-06B-210-TA	-0063	-06BGS-TA	-0062	-06B-TA	6
▼ -0045	▼ -04BGS-210-TA	▼ -0044	▼ -04B-210-TA	▼ -0043	▼ -04BGS-TA	▼ -0042	▼ -04B-TA	4
39-54-0025	5566-02BGS-210-TA	39-54-0024	5566-02B-210-TA	39-54-0023	5566-02BGS-TA	39-54-0022	5566-02B-TA	2
EDP NO.	ENG. NO.	EDP NO.	ENG. NO.	EDP NO.	ENG. NO.	EDP NO.	ENG. NO.	CKT. SIZE
5566-NBGS-210-TA		5566-NB-210-TA		5566-NBGS-TA		5566-NB-TA		

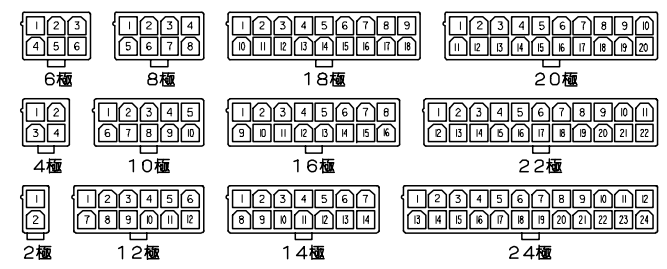
39-54-0241	5566-24AGS-210-TA	39-54-0240	5566-24AGS-TA	39-53-9249	5566-24A-210-TA	39-53-9248	5566-24A-TA	24
▲ -0221	▲ -22AGS-210-TA	▲ -0220	▲ -22AGS-TA	▲ -9229	▲ -22A-210-TA	▲ -9228	▲ -22A-TA	22
-0201	-20AGS-210-TA	-0200	-20AGS-TA	-9209	-20A-210-TA	-9208	-20A-TA	20
-0181	-18AGS-210-TA	-0180	-18AGS-TA	-9189	-18A-210-TA	-9188	-18A-TA	18
-0161	-16AGS-210-TA	-0160	-16AGS-TA	-9169	-16A-210-TA	-9168	-16A-TA	16
-0141	-14AGS-210-TA	-0140	-14AGS-TA	-9149	-14A-210-TA	-9148	-14A-TA	14
-0121	-12AGS-210-TA	-0120	-12AGS-TA	-9129	-12A-210-TA	-9128	-12A-TA	12
-0101	-10AGS-210-TA	-0100	-10AGS-TA	-9109	-10A-210-TA	-9108	-10A-TA	10
-0081	-08AGS-210-TA	-0080	-08AGS-TA	-9089	-08A-210-TA	-9088	-08A-TA	8
-0061	-06AGS-210-TA	-0060	-06AGS-TA	-9069	-06A-210-TA	-9068	-06A-TA	6
▼ -0041	▼ -04AGS-210-TA	▼ -0040	▼ -04AGS-TA	▼ -9049	▼ -04A-210-TA	▼ -9048	▼ -04A-TA	4
39-54-0021	5566-02AGS-210-TA	39-54-0020	5566-02AGS-TA	39-53-9029	5566-02A-210-TA	39-53-9028	5566-02A-TA	2
EDP NO.	ENG. NO.	EDP NO.	ENG. NO.	EDP NO.	ENG. NO.	EDP NO.	ENG. NO.	CKT. SIZE
5566-NAGS-210-TA		5566-NAGS-TA		5566-NA-210-TA		5566-NA-TA		

REVISED EC NO: J2007-2529 DRWNG SAI T001 2007/03/07 CHKDK: TOYODA 2007/03/09 APPR: NUKITA 2007/03/12	GENERAL TOLERANCES (UNLESS SPECIFIED)		DIMENSION STYLE MM ONLY		SCALE ---	DESIGN UNITS METRIC	THIRD ANGLE PROJECTION	
	10 UNDER	± ---	DRAWN BY DATE H. HIRAMOTO '89/04/03		TITLE NEW MINI FIT CONNECTOR HEADER HOUSING ASS'Y -LEAD FREE-			
	10 OVER 30 UNDER	± ---	CHECKED BY DATE M. FUKUSHIMA '94/04/20					
	30 OVER	± ---	APPROVED BY DATE M. FUKUSHIMA '94/04/20		MOLEX INCORPORATED DOCUMENT NO. SD-5566-002 SHEET NO. 6 OF 6			
ANGULAR ± --- °		MATERIAL NO.		SEE TABLE				
DRAFT WHERE APPLICABLE MUST REMAIN WITHIN DIMENSIONS		SIZE A3		THIS DRAWING CONTAINS INFORMATION THAT IS PROPRIETARY TO MOLEX INCORPORATED AND SHOULD NOT BE USED WITHOUT WRITTEN PERMISSION				

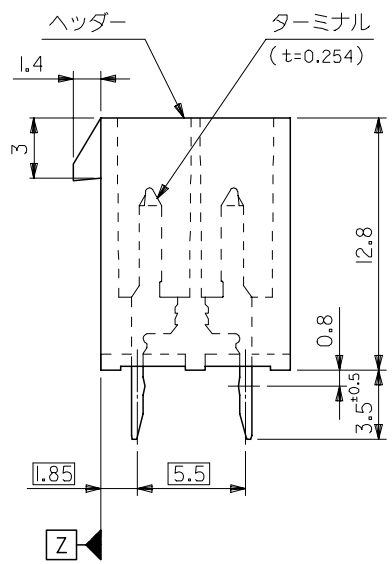
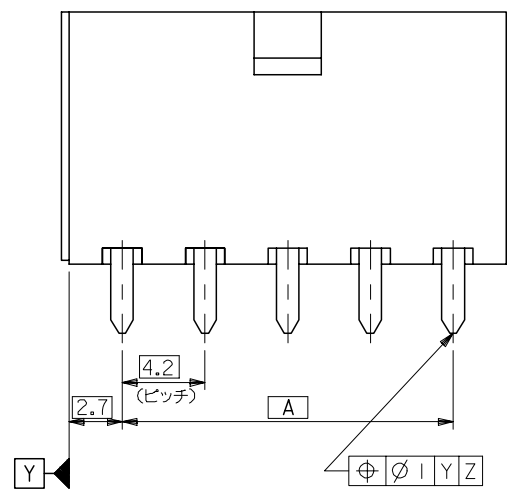
10 9 8 7 6 5 4 3 2 1



51.6	46.2	24
47.4	42	22
43.2	37.8	20
39	33.6	18
34.8	29.4	16
30.6	25.2	14
26.4	21	12
22.2	16.8	10
18	12.6	8
13.8	8.4	6
9.6	4.2	4
5.4	—	2
寸法 B	寸法 A	極数

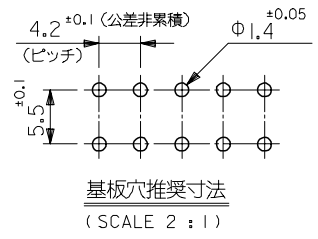


極数別レイアウト図  
(SCALE 1:1)



注記

1. 嵌合相手：5557シリーズ
  2. 使用符号の説明
- 5566 - N A \* \* - \* - \*
- ベースナンバー \_\_\_\_\_
- 極数 \_\_\_\_\_
- アッセンブリー \_\_\_\_\_
- ターミナル材料 \_\_\_\_\_
- "BLANK": 黄銅  
PB: リン青銅
- ターミナルのメッキ \_\_\_\_\_
- "BLANK": 錫メッキ 0.9μm MIN.  
GS: ニッケル 1.27μm MIN. 全面下地  
コンタクト部 金 0.76μm MIN.  
半田付け部 錫 2.54μm MIN.
- ヘッダー材料 \_\_\_\_\_
- "BLANK": ナイロン 66, UL 94V-2  
210: ナイロン 66, UL 94V-0  
400: ナイロン 66, UL 94V-0, 黒
- 色
- BL: 黒色  
BU: 青色  
RE: 赤色  
YE: 黄色  
GR: 灰色



REVISED EC NO: J2006-2418 DRW: NABEI 2006/01/30 CHK: KYOYODA 2006/02/03 APPR: NUKITA 2006/02/06	GENERAL TOLERANCES (UNLESS SPECIFIED)		DIMENSION STYLE	SCALE	DESIGN UNITS	THIRD ANGLE PROJECTION	
			MM ONLY	4:1	METRIC		
	10 UNDER ±0.2		10 OVER 30 UNDER ±0.3	DRAWN BY	DATE	TITLE	
	30 OVER ±0.4			H. HIRAMOTO	'89/05/07	NEW MINI FIT CONNECTOR HEADER ASS'Y -LEAD FREE-	
ANGULAR ±3 °		DRAFT WHERE APPLICABLE MUST REMAIN WITHIN DIMENSIONS	CHECKED BY	DATE	MOLEX INCORPORATED		
			M. FUKUSHIMA	'91/10/29	SD-5566-003		
			APPROVED BY	DATE	DOCUMENT NO.	SHEET NO.	
			M. ENOMOTO	'91/10/29	SD-5566-003	1 OF 3	
			MATERIAL NO.	SEE CHART			
			SIZE	THIS DRAWING CONTAINS INFORMATION THAT IS PROPRIETARY TO MOLEX INCORPORATED AND SHOULD NOT BE USED WITHOUT WRITTEN PERMISSION			
			A3				

10 9 8 7 6 5 4 3 2 1

F

E

D

C

B

A

39-35-0248	5566-24A-400	24
▲ -0228	▲ -22A-400	22
-0208	-20A-400	20
-0188	-18A-400	18
-0168	-16A-400	16
-0148	-14A-400	14
-0128	-12A-400	12
-0108	-10A-400	10
-0088	-08A-400	8
-0068	-06A-400	6
▼ -0048	▼ -04A-400	4
39-35-0028	5566-02A-400	2
EDP NO.	ENG. NO.	極数
5566-NA-400		

39-29-5247	5566-24APB-210	39-29-6248	5566-24AGS-210	39-28-8240	5566-24A-210	24
▲ -5227	▲ -22APB-210	▲ -6228	▲ -22AGS-210	▲ -8220	▲ -22A-210	22
-5207	-20APB-210	-6208	-20AGS-210	-8200	-20A-210	20
-5187	-18APB-210	-6188	-18AGS-210	-8180	-18A-210	18
-5167	-16APB-210	-6168	-16AGS-210	-8160	-16A-210	16
-5147	-14APB-210	-6148	-14AGS-210	-8140	-14A-210	14
-5127	-12APB-210	-6128	-12AGS-210	-8120	-12A-210	12
-5107	-10APB-210	-6108	-10AGS-210	-8100	-10A-210	10
-5087	-08APB-210	-6088	-08AGS-210	-8080	-08A-210	8
-5067	-06APB-210	-6068	-06AGS-210	-8060	-06A-210	6
▼ -5047	▼ -04APB-210	▼ -6048	▼ -04AGS-210	▼ -8040	▼ -04A-210	4
39-29-5027	5566-02APB-210	39-29-6028	5566-02AGS-210	39-28-8020	5566-02A-210	2
EDP NO.	ENG. NO.	EDP NO.	ENG. NO.	EDP NO.	ENG. NO.	極数
5566-NAPB-210		5566-NAGS-210		5566-NA-210		
39-29-5246	5566-24APB	39-29-0243	5566-24AGS	39-28-1243	5566-24A	24
▲ -5226	▲ -22APB	▲ -0223	▲ -22AGS	▲ -1223	▲ -22A	22
-5206	-20APB	-0203	-20AGS	-1203	-20A	20
-5186	-18APB	-0183	-18AGS	-1183	-18A	18
-5166	-16APB	-0163	-16AGS	-1163	-16A	16
-5146	-14APB	-0143	-14AGS	-1143	-14A	14
-5126	-12APB	-0123	-12AGS	-1123	-12A	12
-5106	-10APB	-0103	-10AGS	-1103	-10A	10
-5086	-08APB	-0083	-08AGS	-1083	-08A	8
-5066	-06APB	-0063	-06AGS	-1063	-06A	6
▼ -5046	▼ -04APB	▼ -0043	▼ -04AGS	▼ -1043	▼ -04A	4
39-29-5026	5566-02APB	39-29-0023	5566-02AGS	39-28-1023	5566-02A	2
EDP NO.	ENG. NO.	EDP NO.	ENG. NO.	EDP NO.	ENG. NO.	極数
5566-NAPB		5566-NAGS		5566-NA		

REVISED EC NO: J2006-2418 DRWN: NABEI 2006/01/30 CHKD: KTOYODA 2006/02/03 APPR: NUKITA 2006/02/06	GENERAL TOLERANCES (UNLESS SPECIFIED)		DIMENSION STYLE MM ONLY		SCALE ---	DESIGN UNITS METRIC	THIRD ANGLE PROJECTION	
	10 UNDER	± ---	DRAWN BY H.HIRAMOTO	DATE '89/05/07	TITLE NEW MINI FIT CONNECTOR HEADER ASS'Y -LEAD FREE-			
	10 OVER 30 UNDER	± ---	CHECKED BY M.FUKUSHIMA	DATE '91/10/29				
	30 OVER	± ---	APPROVED BY M.ENOMOTO	DATE '91/10/29	MOLEX INCORPORATED			
	ANGULAR	± --- °	MATERIAL NO.	DOCUMENT NO. SD-5566-003				
DRAFT WHERE APPLICABLE MUST REMAIN WITHIN DIMENSIONS		SIZE A3	THIS DRAWING CONTAINS INFORMATION THAT IS PROPRIETARY TO MOLEX INCORPORATED AND SHOULD NOT BE USED WITHOUT WRITTEN PERMISSION					



F

E

D

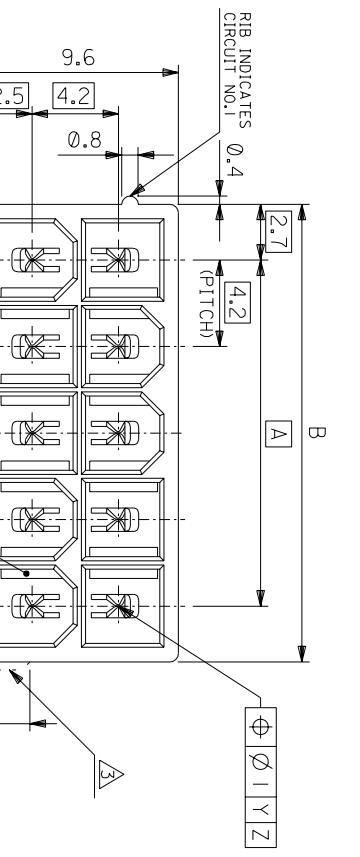
C

B

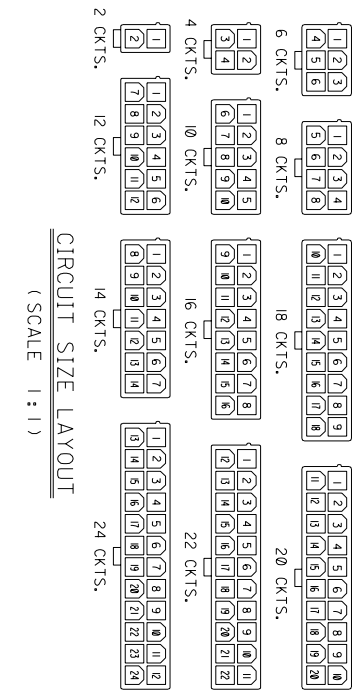
A

									24
									22
									20
									18
					39-33-3169	5566-16A-210-BU	39-33-3168	5566-16A-210-BL	16
									14
									12
			39-33-4100	5566-10A-210-RE	39-33-3109	5566-10A-210-BU	39-33-3108	5566-10A-210-BL	10
							39-33-3088	5566-08A-210-BL	8
									6
			39-33-4040	5566-04A-210-RE	39-33-3049	5566-04A-210-BU			4
39-34-5023	5566-02A-210-YE	39-33-4020	5566-02A-210-RE	39-33-3029	5566-02A-210-BU	39-33-3028	5566-02A-210-BL		2
EDP. NO.	ENG. NO.	EDP. NO.	ENG. NO.	EDP. NO.	ENG. NO.	EDP. NO.	ENG. NO.		極数
5566-NA-210-YE		5566-NA-210-RE		5566-NA-210-BU		5566-NA-210-BL			
									24
									22
									20
									18
39-33-3145	5566-14A-GR			39-33-3166	5566-16A-RE	39-33-3164	5566-16A-BU		16
				39-33-3126	5566-12A-RE	39-33-3124	5566-12A-BU	39-33-3143	5566-14A-BL
				39-33-3106	5566-10A-RE	39-33-3104	5566-10A-BU		14
				39-33-3087	5566-08A-YE	39-33-3086	5566-08A-RE	39-33-3084	5566-08A-BU
				39-33-3067	5566-06A-YE	39-33-3066	5566-06A-RE	39-33-3064	5566-06A-BU
				39-33-3046	5566-04A-RE	39-33-3044	5566-04A-RE	39-33-3043	5566-04A-BL
				39-33-3026	5566-02A-RE	39-33-3024	5566-02A-BU	39-33-3023	5566-02A-BL
EDP. NO.	ENG. NO.	EDP. NO.	ENG. NO.	EDP. NO.	ENG. NO.	EDP. NO.	ENG. NO.	EDP. NO.	ENG. NO.
5566-NA-GR		5566-NA-YE		5566-NA-RE		5566-NA-BU		5566-NA-BL	
									極数

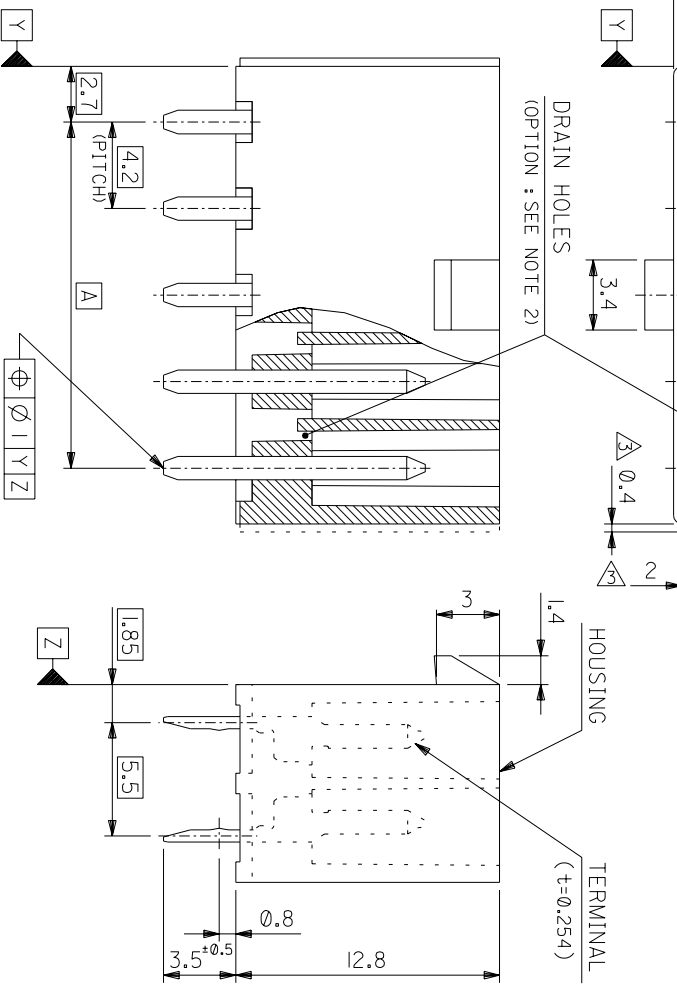
REVISED EC NO: J2006-2418 DRWN: NABEI 2006/01/30 CHKD: KTOYODA 2006/02/03 APPR: NUKITA 2006/02/06	GENERAL TOLERANCES (UNLESS SPECIFIED)		DIMENSION STYLE MM ONLY		SCALE ---	DESIGN UNITS METRIC	THIRD ANGLE PROJECTION	
	10 UNDER	± ---	DRAWN BY H. HIRAMOTO	DATE '89/05/07	TITLE NEW MINI FIT CONNECTOR HEADER ASS'Y -LEAD FREE-			
	10 OVER 30 UNDER	± ---	CHECKED BY M. FUKUSHIMA	DATE '91/10/29				
	30 OVER	± ---	APPROVED BY M. ENOMOTO	DATE '91/10/29	MOLEX INCORPORATED DOCUMENT NO. SD-5566-003 SHEET NO. 3 OF 3			
	ANGULAR	± --- °	MATERIAL NO.					
DRAFT WHERE APPLICABLE MUST REMAIN WITHIN DIMENSIONS		SEE CHART		THIS DRAWING CONTAINS INFORMATION THAT IS PROPRIETARY TO MOLEX INCORPORATED AND SHOULD NOT BE USED WITHOUT WRITTEN PERMISSION				



DIM. B	DIM. A	CKT. SIZE
51.6	46.2	24
47.4	42	22
43.2	37.8	20
39	33.6	18
34.8	29.4	16
30.6	25.2	14
26.4	21	12
22.2	16.8	10
18	12.6	8
13.8	8.4	6
9.6	4.2	4
5.4	—	2



CIRCUIT SIZE LAYOUT (SCALE 1:1)



- NOTES  
 1. MATE WITH : 5557 SERIES  
 2. LEGEND

BASE NUMBER \_\_\_\_\_ 5566 - N \* \* \* \* \*  
 CIRCUIT SIZE \_\_\_\_\_  
 ASS'Y TYPE \_\_\_\_\_

A : WITHOUT DRAIN HOLES  
 B : WITH DRAIN HOLES

TERMINAL MATERIAL  
 "BLANK" : BRASS  
 PB : PHOSPHOR BRONZE

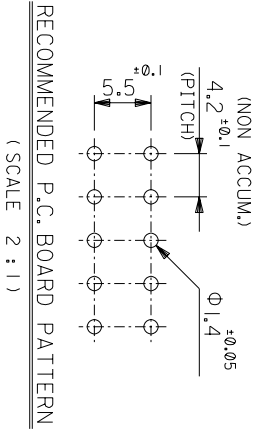
TERMINAL PLATING  
 "BLANK" : BRIGHT TIN 0.9μm MIN. OVER COPPER 0.5μm MIN. (BRASS)  
 TIN 0.9μm MIN. REFLOW TREATMENT  
 OR BRIGHT TIN 0.9μm MIN. (PHOSPHOR BRONZE)

S : BRIGHT TIN 2.54μm MIN. OVER NICKEL 1.27μm MIN.  
 GS : SELECT GOLD 0.76μm MIN. AND SELECT PURE TIN 2.54μm MIN. OVER NICKEL 1.27μm MIN.

GS2 : SELECT GOLD 0.38μm MIN. AND SELECT PURE TIN 2.54μm MIN. OVER NICKEL 1.27μm MIN.

HOUSING MATERIAL  
 "BLANK" : NYLON 66, UL94V-2  
 210 : NYLON 66, UL94V-0  
 310 : G.F. 30%, P.C.T, UL94V-0  
 400 : NYLON 66, UL94V-0, BLACK

EXTERNAL RIB APPEARS ON MX-USA PARTS ONLY.



RECOMMENDED P.C. BOARD PATTERN (SCALE 2:1)

MODEL NO.	REVISION	DATE	REVISION RECORD	DR.	CHK.	DATE	SCALE	REV
5566-N****-*	J	94/5/25	REVISED (J2004-4416)	MIN.K.J		94/5/25	SEE NOTE 2	J
	H	94/4/19	REVISED (J403008)	HH.MF		94/4/19	SEE NOTE 2	
	G	93/7	REVISED (J10190)	HH.Y.Y		93/7	SEE NOTE 2	
	F	90/6/8	REVISED (J00638)	HH.Y.Y		90/6/8	SEE NOTE 2	
	E	89/8/25	REVISED (J90681)	HH.Y.Y		89/8/25	SEE NOTE 2	
	D	89/4/3	REVISED & REDRAWN (J90237)	HH.Y.Y		89/4/3	SEE NOTE 2	
	C		REVISION RECORD					
	B		REVISION RECORD					
	A		REVISION RECORD					

THIS DRAWING CONTAINS INFORMATION THAT IS PROPRIETARY TO MOLEX/JAPAN AND SHOULD NOT BE USED WITHOUT WRITTEN PERMISSION  
 本図面は日本モリス(株)の所有する権利を有するもので 当社の許可なく複製を禁止する。

NOT TOOLED	5566-24APB-310	NOT TOOLED	5566-24AGS2-310	NOT TOOLED	5566-24AGS-310	NOT TOOLED	5566-24AS-310	NOT TOOLED	5566-24A-310	24
▲	-22APB-310	▲	-22AGS2-310	▲	-22AGS-310	▲	-22AS-310	▲	-22A-310	22
	-20APB-310		-20AGS2-310		-20AGS-310		-20AS-310		-20A-310	20
	-18APB-310		-18AGS2-310		-18AGS-310		-18AS-310		-18A-310	18
	-16APB-310		-16AGS2-310		-16AGS-310		-16AS-310		-16A-310	16
	-14APB-310		-14AGS2-310		-14AGS-310		-14AS-310		-14A-310	14
	-12APB-310		-12AGS2-310		-12AGS-310		-12AS-310		-12A-310	12
	-10APB-310		-10AGS2-310		-10AGS-310		-10AS-310		-10A-310	10
	-08APB-310		-08AGS2-310		-08AGS-310		-08AS-310		-08A-310	8
	-06APB-310		-06AGS2-310		-06AGS-310		-06AS-310		-06A-310	6
▼	-04APB-310	▼	-04AGS2-310	▼	-04AGS-310	▼	-04AS-310	▼	-04A-310	4
NOT TOOLED	5566-02APB-310	NOT TOOLED	5566-02AGS2-310	NOT TOOLED	5566-02AGS-310	NOT TOOLED	5566-02AS-310	NOT TOOLED	5566-02A-310	2
EDP NO.	ENG. NO.	EDP NO.	ENG. NO.	EDP NO.	ENG. NO.	EDP NO.	ENG. NO.	EDP NO.	ENG. NO.	CKT. SIZE
5566-NAPB-310										
39-29-5247	5566-24APB-210	39-30-9245	5566-24AGS2-210	39-29-6248	5566-24AGS-210	39-30-6242	5566-24AS-210	39-28-8240	5566-24A-210	24
▲	-22APB-210	▲	-22AGS2-210	▲	-22AGS-210	▲	-22AS-210	▲	-22A-210	22
	-20APB-210		-20AGS2-210		-20AGS-210		-20AS-210		-20A-210	20
	-18APB-210		-18AGS2-210		-18AGS-210		-18AS-210		-18A-210	18
	-16APB-210		-16AGS2-210		-16AGS-210		-16AS-210		-16A-210	16
	-14APB-210		-14AGS2-210		-14AGS-210		-14AS-210		-14A-210	14
	-12APB-210		-12AGS2-210		-12AGS-210		-12AS-210		-12A-210	12
	-10APB-210		-10AGS2-210		-10AGS-210		-10AS-210		-10A-210	10
	-08APB-210		-08AGS2-210		-08AGS-210		-08AS-210		-08A-210	8
	-06APB-210		-06AGS2-210		-06AGS-210		-06AS-210		-06A-210	6
▼	-04APB-210	▼	-04AGS2-210	▼	-04AGS-210	▼	-04AS-210	▼	-04A-210	4
39-29-5027	5566-02APB-210	39-30-9025	5566-02AGS2-210	39-29-6028	5566-02AGS-210	39-30-6022	5566-02AS-210	39-28-8020	5566-02A-210	2
EDP NO.	ENG. NO.	EDP NO.	ENG. NO.	EDP NO.	ENG. NO.	EDP NO.	ENG. NO.	EDP NO.	ENG. NO.	CKT. SIZE
5566-NAPB-210										
39-29-5246	5566-24APB	39-30-9244	5566-24AGS2	39-29-0243	5566-24AGS	39-30-6241	5566-24AS	39-28-1243	5566-24A	24
▲	-22APB	▲	-22AGS2	▲	-22AGS	▲	-22AS	▲	-22A	22
	-20APB		-20AGS2		-20AGS		-20AS		-20A	20
	-18APB		-18AGS2		-18AGS		-18AS		-18A	18
	-16APB		-16AGS2		-16AGS		-16AS		-16A	16
	-14APB		-14AGS2		-14AGS		-14AS		-14A	14
	-12APB		-12AGS2		-12AGS		-12AS		-12A	12
	-10APB		-10AGS2		-10AGS		-10AS		-10A	10
	-08APB		-08AGS2		-08AGS		-08AS		-08A	8
	-06APB		-06AGS2		-06AGS		-06AS		-06A	6
▼	-04APB	▼	-04AGS2	▼	-04AGS	▼	-04AS	▼	-04A	4
39-29-5026	5566-02APB	39-30-9024	5566-02AGS2	39-29-0023	5566-02AGS	39-30-6021	5566-02AS	39-28-1023	5566-02A	2
EDP NO.	ENG. NO.	EDP NO.	ENG. NO.	EDP NO.	ENG. NO.	EDP NO.	ENG. NO.	EDP NO.	ENG. NO.	CKT. SIZE
5566-NAPB										
5566-NAGS2										
5566-NAGS										
5566-NAS										
5566-NA										

5566-N****-*		MODEL NO.		J SEE SHEET 10F 4		M,N,K 9/4/5/5		材料 MATERIAL		SEE NOTE 2	
角度 ANGLE		3°		H SEE SHEET 10F 4		H,H,M,F 9/4/4/9		仕上げ FINISH		SEE NOTE 2	
30 UNDER		0.3		G SEE SHEET 10F 4		H,H,Y 9/3/7		適用電線範囲 WIRE RANGE		—	
10 OVER		0.25		E SEE SHEET 10F 4		H,H,Y 9/0/6/8		標準外径 INS. RANGE		—	
10 UNDER		0.2		F SEE SHEET 10F 4		H,H,Y 9/3/7/5		DRAWN BY 9/3/4/3		CHK'D BY 9/4/4/20	
GENERAL TOLERANCES		D		SEE SHEET 10F 4		H,H,Y 9/4/4/3		APP'D BY 9/4/4/20		M.FUKUSHIMA	
REVISION RECORD		DR. CHK.		DATE		DATE		SCALE		—	
REVISION RECORD		DR. CHK.		DATE		DATE		SCALE		—	
REVISION RECORD		DR. CHK.		DATE		DATE		SCALE		—	

THIS DRAWING CONTAINS INFORMATION THAT IS PROPRIETARY TO MOLEX/JAPAN AND SHOULD NOT BE USED WITHOUT WRITTEN PERMISSION  
 本図面は日本モリス(株)の所有する情報を含むもので 当社の許可なく複製を禁止する。

NOT TOOLED	5566-24BGS2-310	NOT TOOLED	5566-24BGS-310	NOT TOOLED	5566-24BS-310	NOT TOOLED	5566-24B-310	NOT TOOLED	5566-24APBS-310	24
▲	▲ -22BGS2-310	▲	▲ -22BGS-310	▲	▲ -22BS-310	▲	▲ -22B-310	▲	▲ -22APBS-310	22
	-20BGS2-310		-20BGS-310		-20BS-310		-20B-310		-20APBS-310	20
	-18BGS2-310		-18BGS-310		-18BS-310		-18B-310		-18APBS-310	18
	-16BGS2-310		-16BGS-310		-16BS-310		-16B-310		-16APBS-310	16
	-14BGS2-310		-14BGS-310		-14BS-310		-14B-310		-14APBS-310	14
	-12BGS2-310		-12BGS-310		-12BS-310		-12B-310		-12APBS-310	12
	-10BGS2-310		-10BGS-310		-10BS-310		-10B-310		-10APBS-310	10
	-08BGS2-310		-08BGS-310		-08BS-310		-08B-310		-08APBS-310	8
	-06BGS2-310		-06BGS-310		-06BS-310		-06B-310		-06APBS-310	6
▼	▼ -04BGS2-310	▼	▼ -04BGS-310	▼	▼ -04BS-310	▼	▼ -04B-310	▼	▼ -04APBS-310	4
NOT TOOLED	5566-02BGS2-310	NOT TOOLED	5566-02BGS-310	NOT TOOLED	5566-02BS-310	NOT TOOLED	5566-02B-310	NOT TOOLED	5566-02APBS-310	2
EDP NO.	ENG. NO.	EDP NO.	ENG. NO.	EDP NO.	ENG. NO.	EDP NO.	ENG. NO.	EDP NO.	ENG. NO.	CKT. SIZE
5566-NBGS2-310										
39-30-9247	5566-24BGS2-210	39-31-0248	5566-24BGS-210	39-31-0242	5566-24BS-210	39-31-0240	5566-24B-210	39-30-6244	5566-24APBS-210	24
▲	▲ -22BGS2-210	▲	▲ -22BGS-210	▲	▲ -22BS-210	▲	▲ -22B-210	▲	▲ -22APBS-210	22
	-20BGS2-210		-20BGS-210		-20BS-210		-20B-210		-20APBS-210	20
	-18BGS2-210		-18BGS-210		-18BS-210		-18B-210		-18APBS-210	18
	-16BGS2-210		-16BGS-210		-16BS-210		-16B-210		-16APBS-210	16
	-14BGS2-210		-14BGS-210		-14BS-210		-14B-210		-14APBS-210	14
	-12BGS2-210		-12BGS-210		-12BS-210		-12B-210		-12APBS-210	12
	-10BGS2-210		-10BGS-210		-10BS-210		-10B-210		-10APBS-210	10
	-9087		-0088		-0080		-08B-210		-08APBS-210	8
	-9067		-0068		-0060		-06B-210		-06APBS-210	6
▼	▼ -04BGS2-210	▼	▼ -04BGS-210	▼	▼ -04BS-210	▼	▼ -04B-210	▼	▼ -04APBS-210	4
39-30-9027	5566-02BGS2-210	39-31-0028	5566-02BGS-210	39-31-0022	5566-02BS-210	39-31-0020	5566-02B-210	39-30-6024	5566-02APBS-210	2
EDP NO.	ENG. NO.	EDP NO.	ENG. NO.	EDP NO.	ENG. NO.	EDP NO.	ENG. NO.	EDP NO.	ENG. NO.	CKT. SIZE
5566-NBGS2-210										
39-30-9246	5566-24BGS2	39-31-0247	5566-24BGS	39-31-0241	5566-24BS	39-29-3246	5566-24B	39-30-6243	5566-24APBS	24
▲	▲ -22BGS2	▲	▲ -22BGS	▲	▲ -22BS	▲	▲ -22B	▲	▲ -22APBS	22
	-20BGS2		-20BGS		-20BS		-20B		-20APBS	20
	-18BGS2		-18BGS		-18BS		-18B		-18APBS	18
	-16BGS2		-16BGS		-16BS		-16B		-16APBS	16
	-14BGS2		-14BGS		-14BS		-14B		-14APBS	14
	-12BGS2		-12BGS		-12BS		-12B		-12APBS	12
	-10BGS2		-10BGS		-10BS		-10B		-10APBS	10
	-9086		-0087		-0081		-08B		-08APBS	8
	-9066		-0067		-0061		-06B		-06APBS	6
▼	▼ -04BGS2	▼	▼ -04BGS	▼	▼ -04BS	▼	▼ -04B	▼	▼ -04APBS	4
39-30-9026	5566-02BGS2	39-31-0027	5566-02BGS	39-31-0021	5566-02BS	39-29-3026	5566-02B	39-30-6023	5566-02APBS	2
EDP NO.	ENG. NO.	EDP NO.	ENG. NO.	EDP NO.	ENG. NO.	EDP NO.	ENG. NO.	EDP NO.	ENG. NO.	CKT. SIZE
5566-NBGS2										
5566-NBS										
5566-NB										
5566-NAPBS										

5566-N****-*		MODEL NO.		J SEE SHEET 10F 4		M.N.K.J 9/4/5/5		材料 MATERIAL		SEE NOTE 2		REVISE ONLY ON CAD SYSTEM	
角度 ANGLE		3°		H H M F 9/4/4/9		仕上げ FINISH		SEE NOTE 2		TITLE 名称		NEW MINI FIT CONNECTOR	
30 0.3		F SEE SHEET 10F 4		H H X Y 9/3/7		適用電線範囲 WIRE RANGE		—		HEADER HOUSING ASS'Y		—	
10 0.25		E SEE SHEET 10F 4		H H X Y 9/3/7		標準外径 INS. RANGE		—		DWG. NO.		SD-5566-N****-*	
10 0.2		D SEE SHEET 10F 4		H H X Y 9/3/7		DRAWN BY 9/3/4/3		CHK'D BY 9/4/4/20		SHEET 3 OF 4		REV J	
GENERAL TOLERANCES		記号 LTR		変更内容 REVISION RECORD		DR. CHK. DATE		M.F. FUKUSHIMA		SCALE		—	

THIS DRAWING CONTAINS INFORMATION THAT IS PROPRIETARY TO MOLEX/JAPAN AND SHOULD NOT BE USED WITHOUT WRITTEN PERMISSION  
 本図面は日本モリス(株)の所有する情報を含むもので 当社の許可なく複製を禁止する。

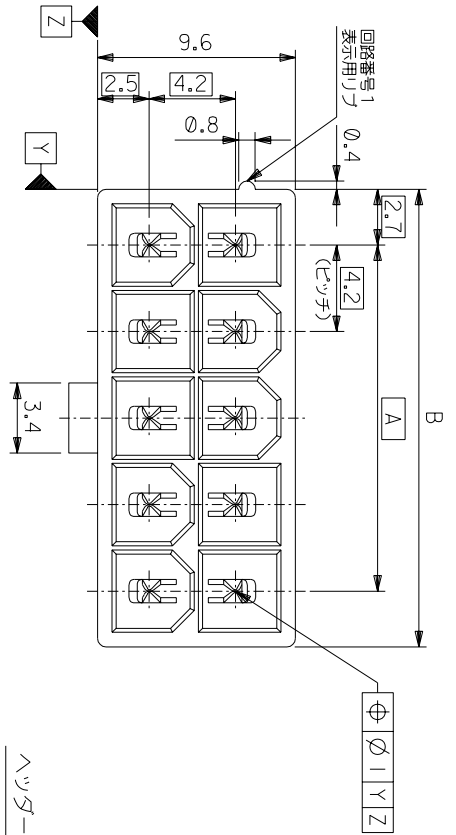
Table with 5 main columns: EDP NO., ENG. NO., EDP NO., ENG. NO., EDP NO., and CT. SIZE. The table lists various part numbers (e.g., 39-35-0248, 5566-24A-400) and their corresponding engineering numbers and tooling status.

Technical specification table with columns for MODEL NO., ANGLE, and 10 DIMENSIONS. It includes values for 30 DIMENSION (0.3), 10 DIMENSION (0.25), and 10 DIMENSION (0.2).

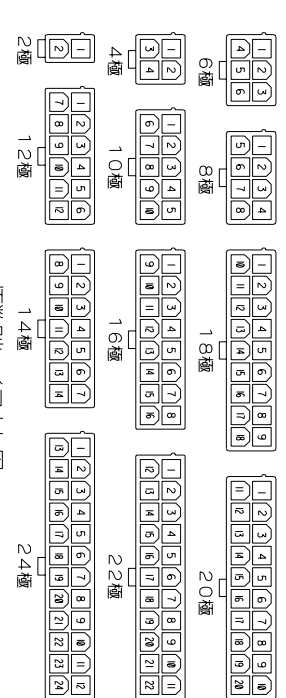
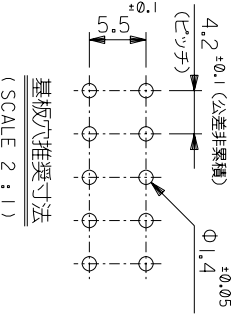
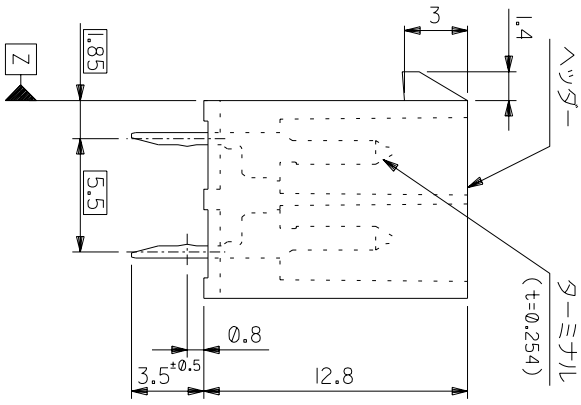
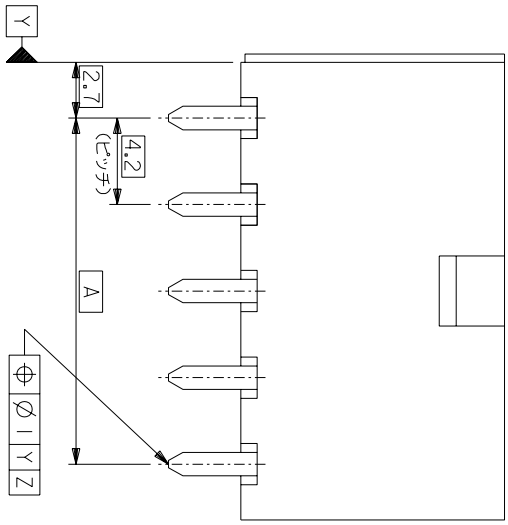
Revision table with columns: 記号 (Symbol), 変更内容 (Revision Content), REVISION RECORD, 日付 (Date), DR. CHK., 担当 (Responsible).

MOLEX-JAPAN CO.,LTD. logo and company information. Includes title: NEW MINI FIT CONNECTOR HEADER HOUSING ASS'Y -LEAD FREE-. Drawing No. SD-5566-N\*\*\*\*\*, Sheet 4 of 4, and Revision J.

THIS DRAWING CONTAINS INFORMATION THAT IS PROPRIETARY TO MOLEX(JAPAN) AND SHOULD NOT BE USED WITHOUT WRITTEN PERMISSION FROM MOLEX(JAPAN). (無)の所有する権利を認むる。 本図面は日本モルックス(株)の所有する権利を認むる。 当社の許可なく複製を禁止する。



51.6	46.2	24
47.4	42	22
43.2	37.8	20
39	33.6	18
34.8	29.4	16
30.6	25.2	14
26.4	21	12
22.2	16.8	10
18	12.6	8
13.8	8.4	6
9.6	4.2	4
5.4	—	2
寸法 B	寸法 A	極数



極数別レイアウト図  
(SCALE 1 : 1)

**注記**

1. 嵌合相手：5557シリーズ
2. 使用符号の説明：5566 - N A \* \* - \*

ターミナル材料  
PB : リン青銅  
ターミナルのメッキ  
"BLANK" : 錫メッキ 0.9µm MIN.  
GS : ニッケル 1.27µm MIN, 全面下地  
コンタクト部 金 0.76µm MIN.  
半田付け部 錫 2.54µm MIN.  
ハッター材料  
"BLANK" : ナイロン 66, UL 94V-2  
210 : ナイロン 66, UL 94V-0  
400 : ナイロン 66, UL 94V-0, 黒

角	度	ANG	LE	変更	変更理由	DR	CHK	DATE
30	以上	0.4		F	変更 (J2004-4431)	MIN	/H	
30	以下	0.4		E	変更 (J00638)	MIN	/H	
10	未満	0.3		D	変更 & 再作図 (J00510)	MIN	/Y	90/5/1
10	未満	0.2		C	変更内容	DR	/CHK	
10	未満	0.2		B	変更内容	DR	/CHK	
GENERAL TOLERANCES								

材	質	材	料	材	質	材	料	材	質	材	料
MATERIAL		注記	2	参照							
仕	上	げ									
FIN	ISH										
適	用										
W	IRE										
R	ANGE										
覆											
外											
径											
DR											
AW											
AP											
P											
D											
RA											
ME											
NO											
MO											

材	質	材	料	材	質	材	料	材	質	材	料
MATERIAL		注記	2	参照							
仕	上										
FIN	ISH										
適	用										
W	IRE										
R	ANGE										
覆											
外											
径											
DR											
AW											
AP											
P											
D											
RA											
ME											
NO											
MO											

8 7 6 5 4 3 2 1

39-29-5247	5566-24APB-210	39-29-6248	5566-24AGS-210	39-28-8240	5566-24A-210	39-35-0248	5566-24A-400	24
▲-5227	▲-22APB-210	▲-6228	▲-22AGS-210	▲-8220	▲-22A-210	▲-0228	▲-22A-400	22
-5207	-20APB-210	-6208	-20AGS-210	-8200	-20A-210	-0208	-20A-400	20
-5187	-18APB-210	-6188	-18AGS-210	-8180	-18A-210	-0188	-18A-400	18
-5167	-16APB-210	-6168	-16AGS-210	-8160	-16A-210	-0168	-16A-400	16
-5147	-14APB-210	-6148	-14AGS-210	-8140	-14A-210	-0148	-14A-400	14
-5127	-12APB-210	-6128	-12AGS-210	-8120	-12A-210	-0128	-12A-400	12
-5107	-10APB-210	-6108	-10AGS-210	-8100	-10A-210	-0108	-10A-400	10
-5087	-08APB-210	-6088	-08AGS-210	-8080	-08A-210	-0088	-08A-400	8
▼-5067	▼-06APB-210	▼-6068	▼-06AGS-210	▼-8060	▼-06A-210	▼-0068	▼-06A-400	6
▼-5047	▼-04APB-210	▼-6048	▼-04AGS-210	▼-8040	▼-04A-210	▼-0048	▼-04A-400	4
39-29-5027	5566-02APB-210	39-29-6028	5566-02AGS-210	39-28-8020	5566-02A-210	39-35-0028	5566-02A-400	2
EDP NO.	ENG. NO	EDP NO.	ENG. NO	EDP NO.	ENG. NO	EDP NO.	ENG. NO	極数

39-29-5246	5566-24APB	39-29-0243	5566-24AGS	39-28-1243	5566-24A	39-35-0243	5566-24A-400	24
▲-5226	▲-22APB	▲-0223	▲-22AGS	▲-1223	▲-22A	▲-0223	▲-22A-400	22
-5206	-20APB	-0203	-20AGS	-1203	-20A	-0203	-20A-400	20
-5186	-18APB	-0183	-18AGS	-1183	-18A	-0183	-18A-400	18
-5166	-16APB	-0163	-16AGS	-1163	-16A	-0163	-16A-400	16
-5146	-14APB	-0143	-14AGS	-1143	-14A	-0143	-14A-400	14
-5126	-12APB	-0123	-12AGS	-1123	-12A	-0123	-12A-400	12
-5106	-10APB	-0103	-10AGS	-1103	-10A	-0103	-10A-400	10
-5086	-08APB	-0083	-08AGS	-1083	-08A	-0083	-08A-400	8
▼-5066	▼-06APB	▼-0063	▼-06AGS	▼-1063	▼-06A	▼-0063	▼-06A-400	6
▼-5046	▼-04APB	▼-0043	▼-04AGS	▼-1043	▼-04A	▼-0043	▼-04A-400	4
39-29-5026	5566-02APB	39-29-0023	5566-02AGS	39-28-1023	5566-02A	39-35-0023	5566-02A-400	2
EDP NO.	ENG. NO	EDP NO.	ENG. NO	EDP NO.	ENG. NO	EDP NO.	ENG. NO	極数

39-29-5245	5566-24APB	39-29-0242	5566-24AGS	39-28-1242	5566-24A	39-35-0242	5566-24A-400	24
▲-5225	▲-22APB	▲-0222	▲-22AGS	▲-1222	▲-22A	▲-0222	▲-22A-400	22
-5205	-20APB	-0202	-20AGS	-1202	-20A	-0202	-20A-400	20
-5185	-18APB	-0182	-18AGS	-1182	-18A	-0182	-18A-400	18
-5165	-16APB	-0162	-16AGS	-1162	-16A	-0162	-16A-400	16
-5145	-14APB	-0142	-14AGS	-1142	-14A	-0142	-14A-400	14
-5125	-12APB	-0122	-12AGS	-1122	-12A	-0122	-12A-400	12
-5105	-10APB	-0102	-10AGS	-1102	-10A	-0102	-10A-400	10
-5085	-08APB	-0082	-08AGS	-1082	-08A	-0082	-08A-400	8
▼-5065	▼-06APB	▼-0062	▼-06AGS	▼-1062	▼-06A	▼-0062	▼-06A-400	6
▼-5045	▼-04APB	▼-0042	▼-04AGS	▼-1042	▼-04A	▼-0042	▼-04A-400	4
39-29-5025	5566-02APB	39-29-0022	5566-02AGS	39-28-1022	5566-02A	39-35-0022	5566-02A-400	2
EDP NO.	ENG. NO	EDP NO.	ENG. NO	EDP NO.	ENG. NO	EDP NO.	ENG. NO	極数

5566-NA***		5566-NAGS		5566-NA	
MODEL NO.					
角度 ANGLE	3°				
30°以上	0.3				
10°以下	0.25				
10°未満	0.2				
10°未満	0.2				
一般公差					
GENERAL TOLERANCES					
REVISION RECORD					
REVISE ONLY ON CAD SYSTEM					
材料 MATERIAL	注記 2 参照				
仕上げ FINISH	注記 2 参照				
適用電線範囲 WIRE RANGE	—H—				
被覆外径 INS. RANGE	—H—				
DRAWN BY 90/5/7	CHK'D BY 91/0/29				
H.HIRAMOTO	M.FUKUSHIMA				
尺度 SCALE	—H—				
TITLE 名称	NEW MINI FIT CONNECTOR				
HEADER ASSY	-LEAD FREE-				

THIS DRAWING CONTAINS INFORMATION THAT IS PROPRIETARY TO MOLEX(JAPAN) AND SHOULD NOT BE USED WITHOUT WRITTEN PERMISSION  
本図面は日本モリス(株)の所有する情報を含むもので 当社の許可なく複製を禁止する。  
MXJ-8